



FullSpeed MiniPusher Brushless CineWhoop User Manual





Specification:

Brand Name: FullSpeed

Item Name: MiniPusher

Weight: 83g (without battery)

Flight controller: NameLessRC AIO412T (F411 2-4S) 5V 2.5A BEC built-in OSD

BLHELI_S 4in1 ESC Dshot600

Motor: rcInpower 1204 5000KV with connector

Propeller: Gemfan D63 3-blades props

Camera: Caddx EOS2 camera

VTX: Nano400 VTX Pit/25/100/200/400mW switchable(IRC Tramp)

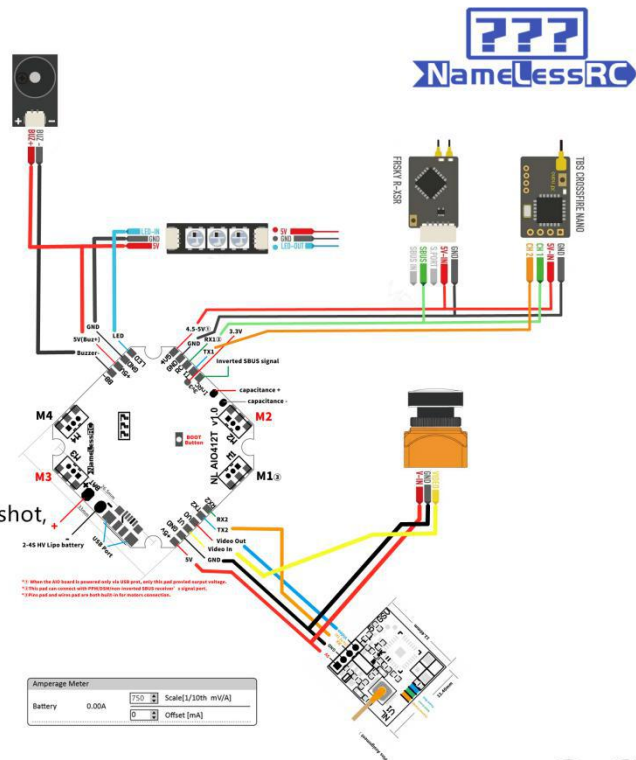
NameLessRC AIO412T

- MCU: 100MHz STM32F411CEU6
- IMU: MPU6000
- Baro: NO
- OSD: BF OSD
- Blackbox: NO
- Receiver: PPM/SBUS/IBUS/DSM
- UartS: 2set
- 3.3V: YES
- LED Control: BF LED control
- Smartaudio: YES
- Buzz: YES
- Input: 2-4S Lipo (2-4S HV Lipo)
- BEC: 5V 2.5A
- ESC protocol: pwm, oneshot125, multishot, dshot150/300/600
- BURST CURRENT: 16A (10S)

Physical

- Mounting: 25.5x25.5mm,φ2
- Dimensions: 33x33x5mmmm
- Weight: 5g

FC FIRMWARE TARGET: Betaflight / MATEK F411 (LEGACY)
 ESC FIRMWARE TARGET: BLHeli_S / PH120 48K 16.8





VTX User Manual:



More 3D Printed File for MiniPusher:

<https://www.thingiverse.com/thing:4586036>